



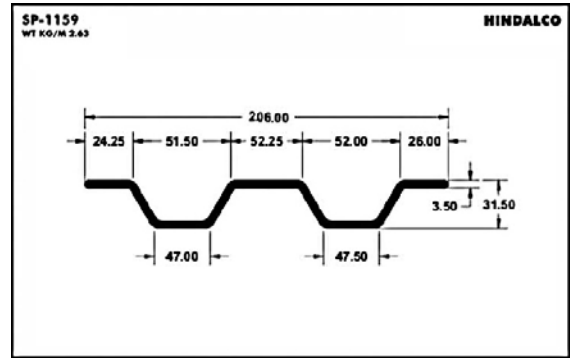
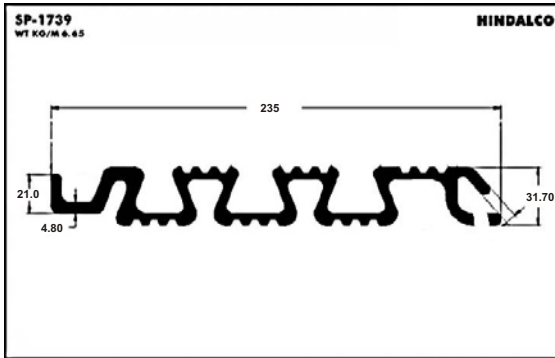
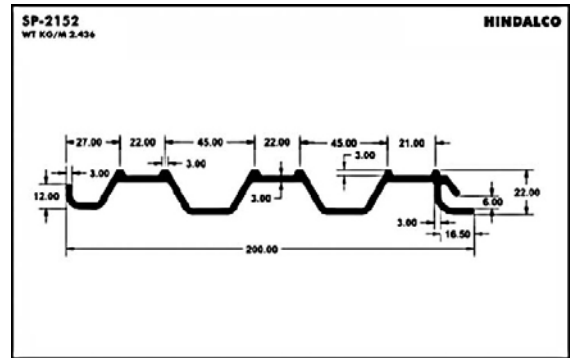
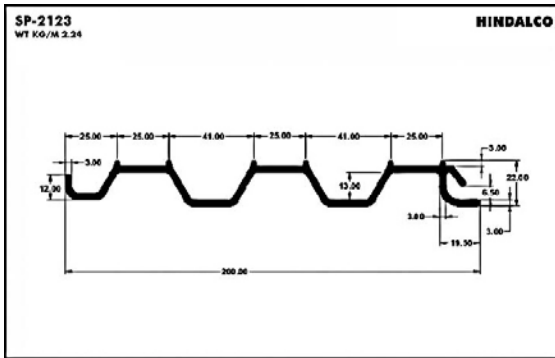
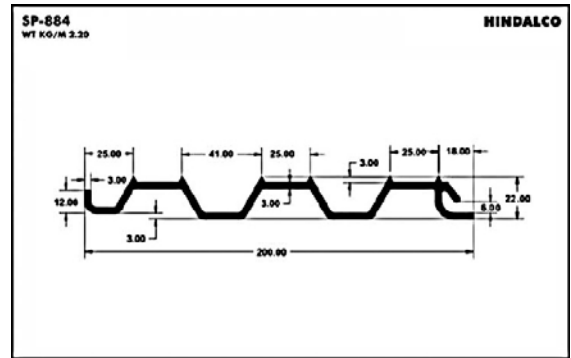
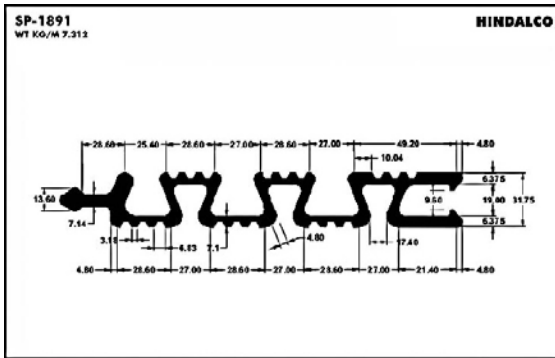
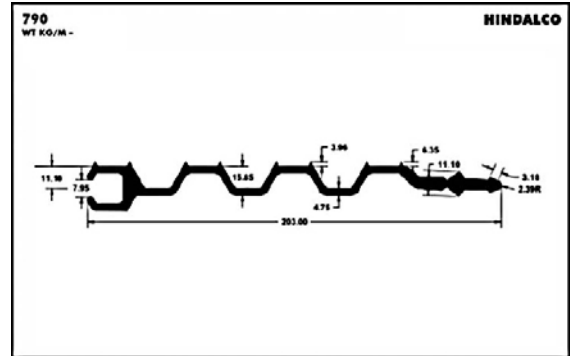
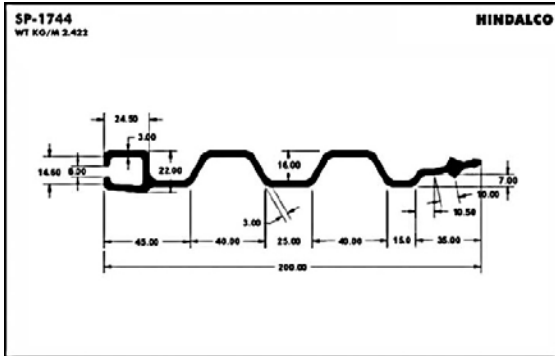
Contents

Click on the desired sub-segment to go directly to the page

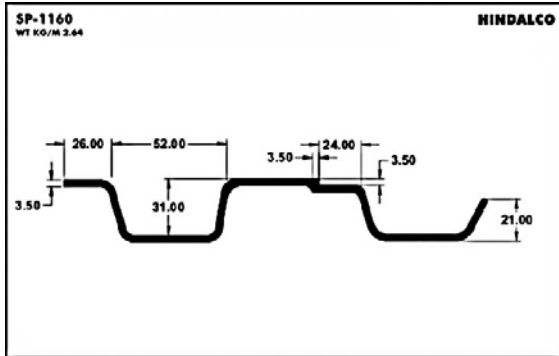
Defence

	catalogue pg. nos	pdf pg. nos
Assault track -----	277	3
Bridge -----	278	4
Miscellaneous -----	287	13

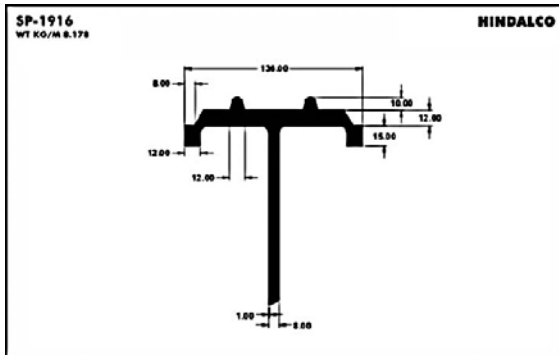
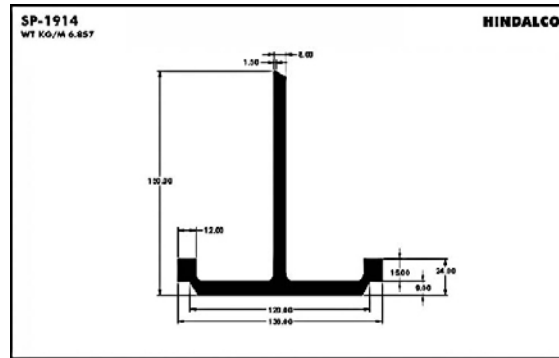
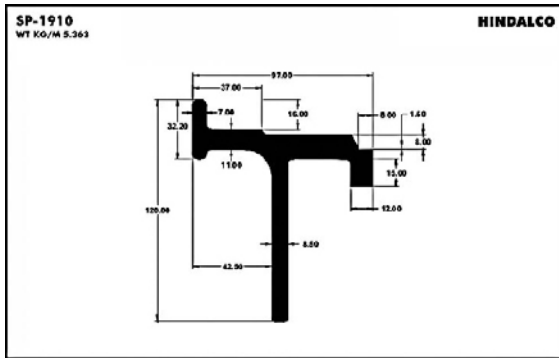
Assault Track



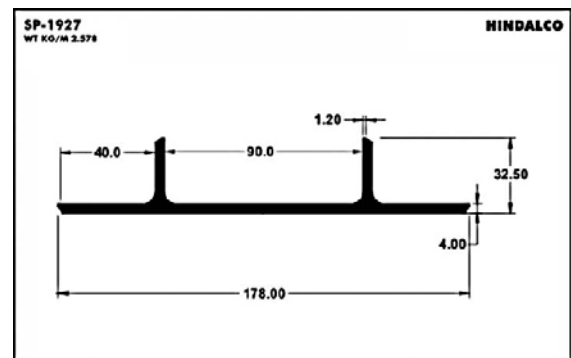
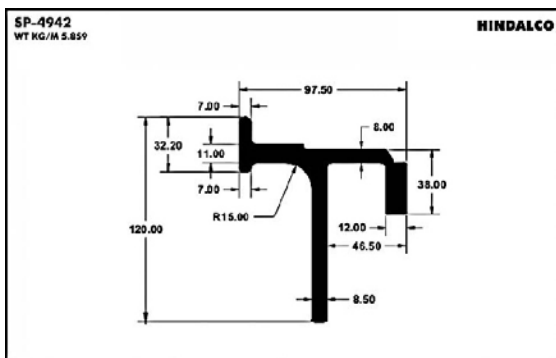
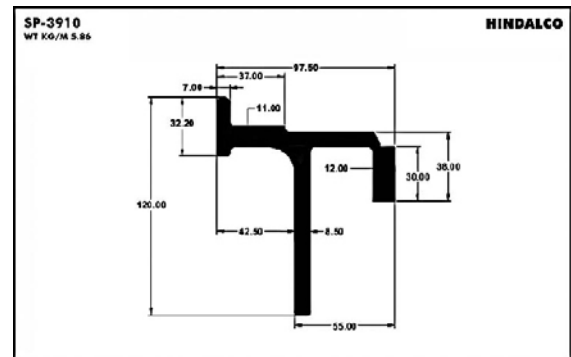
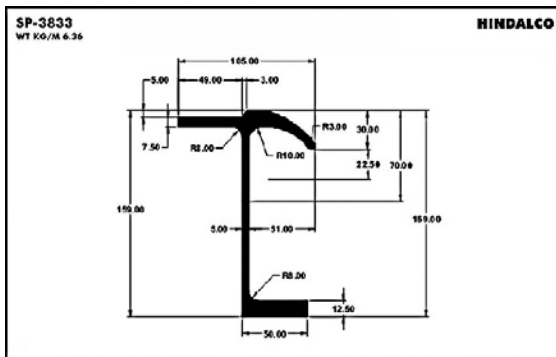
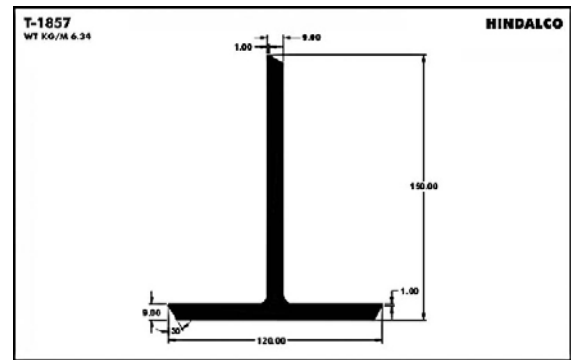
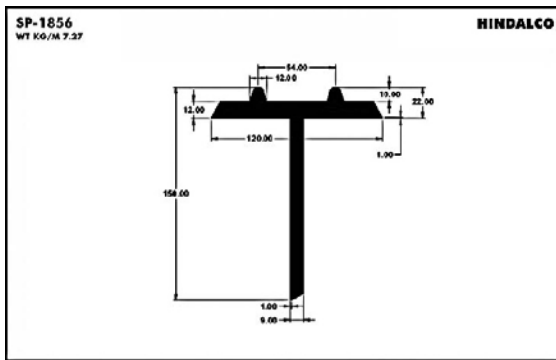
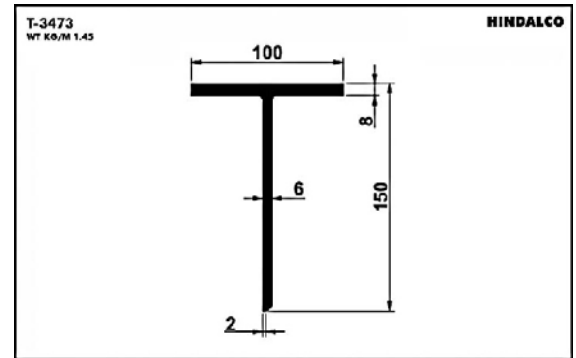
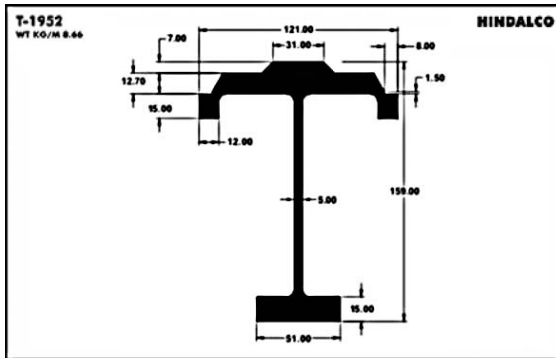
Assault Track



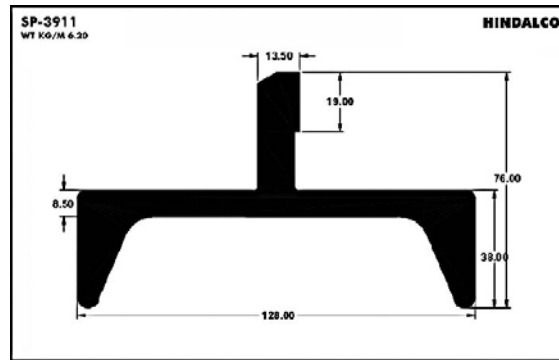
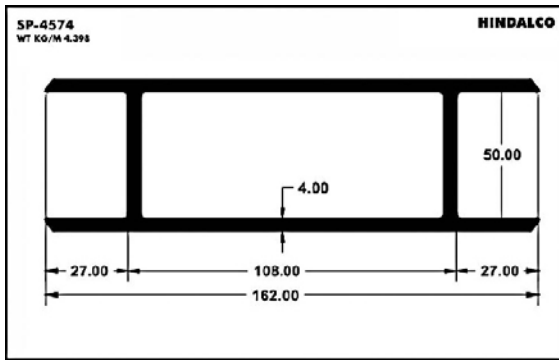
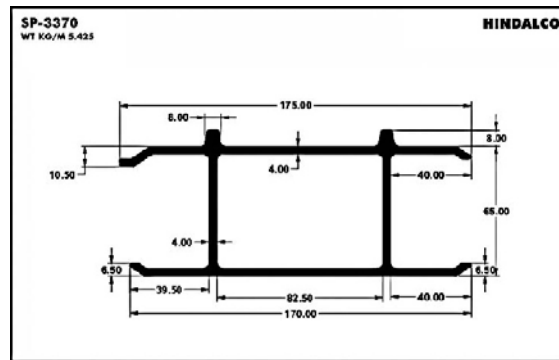
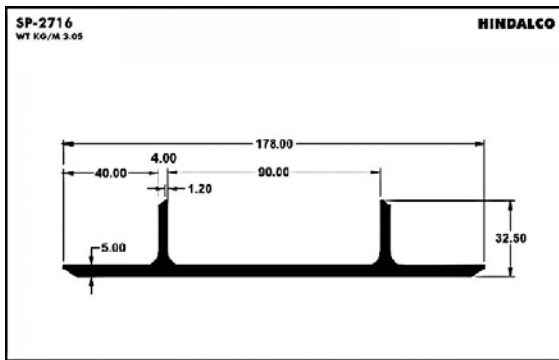
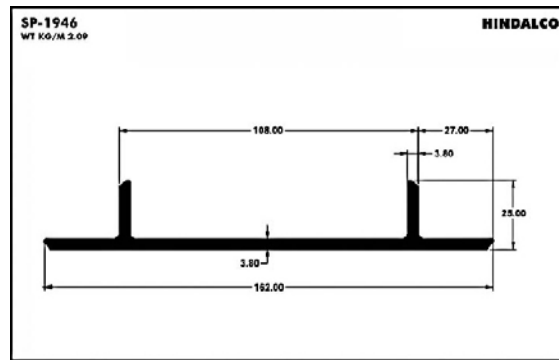
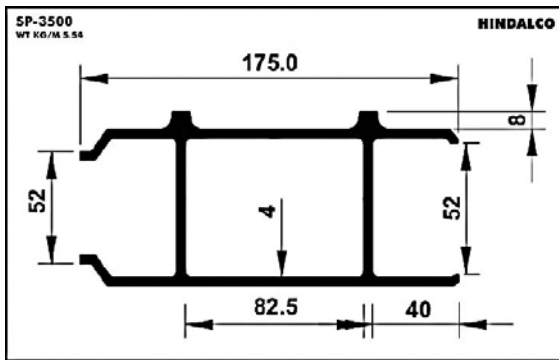
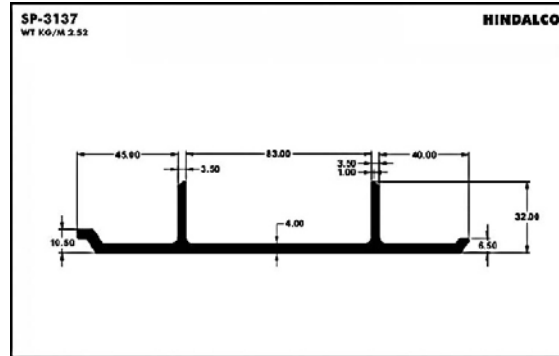
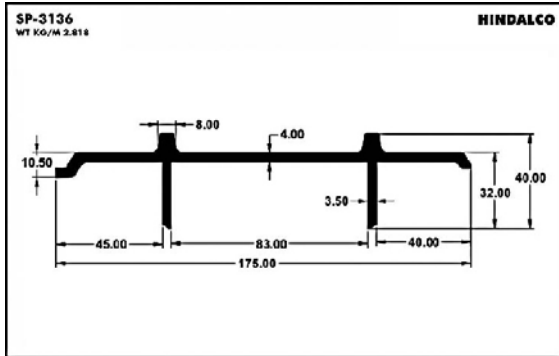
Bridge



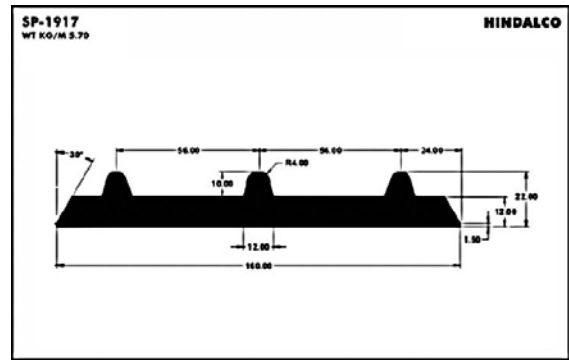
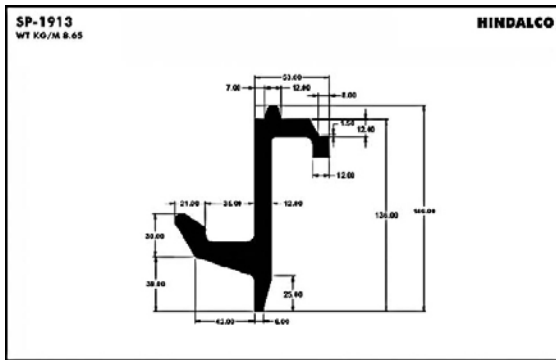
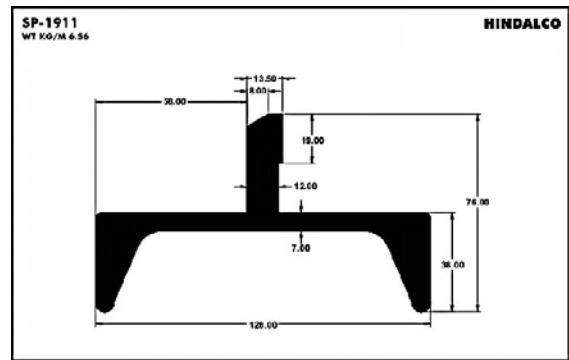
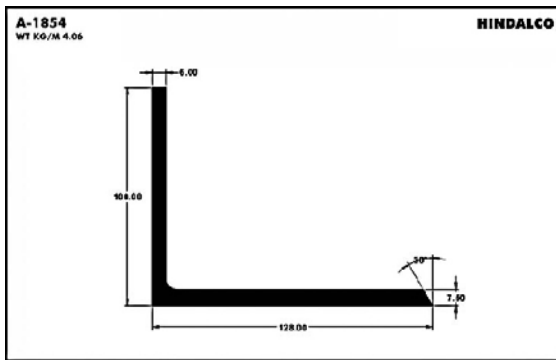
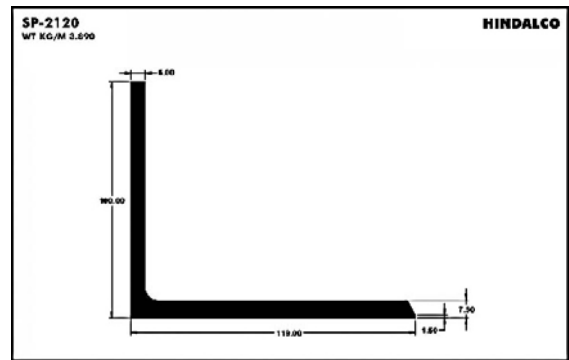
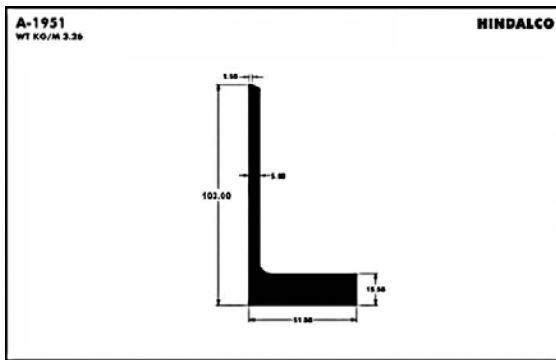
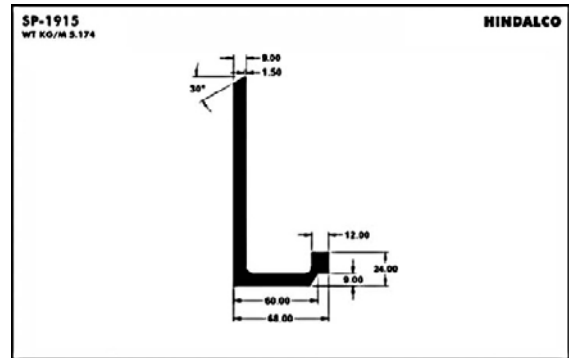
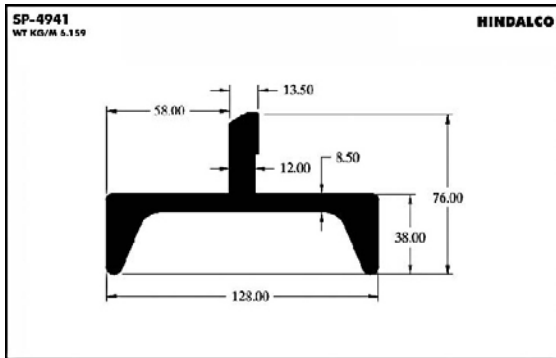
Bridge



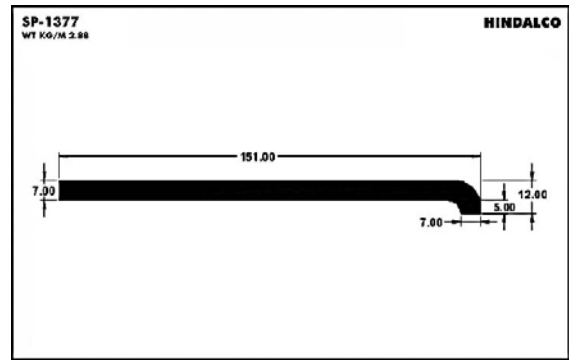
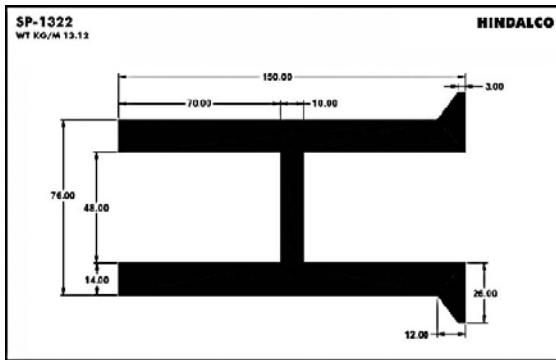
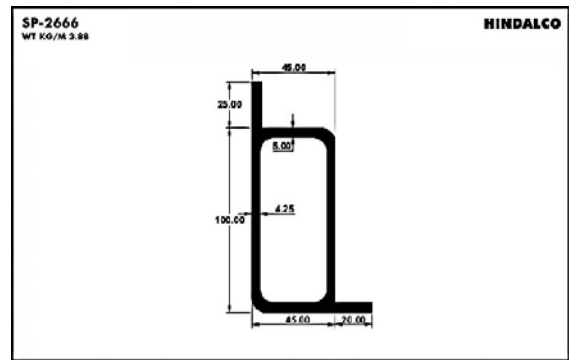
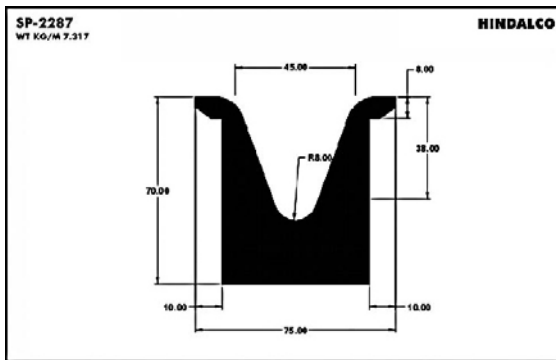
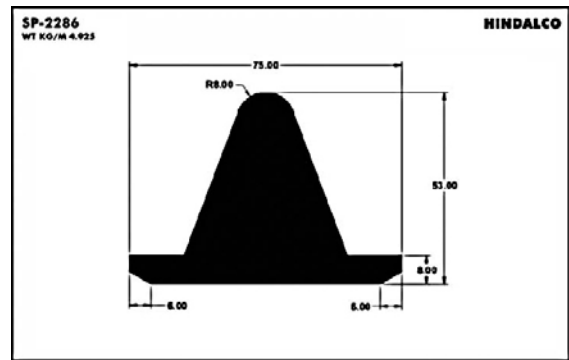
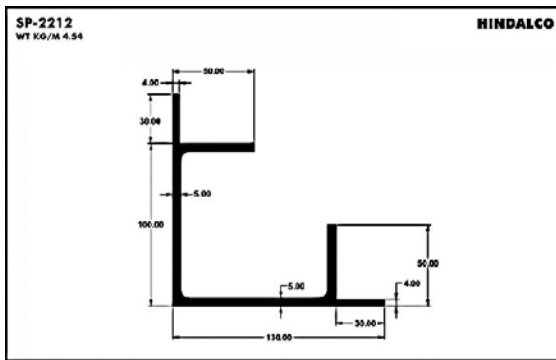
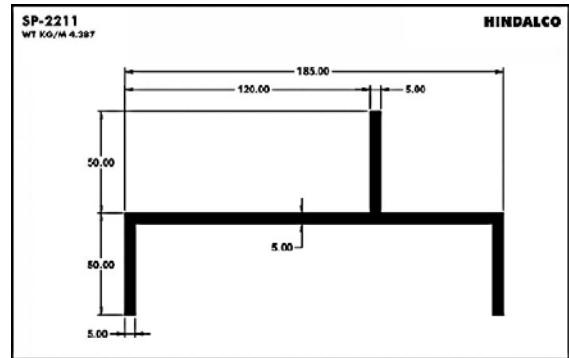
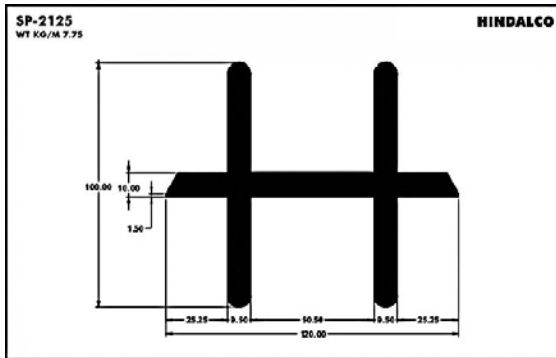
Bridge



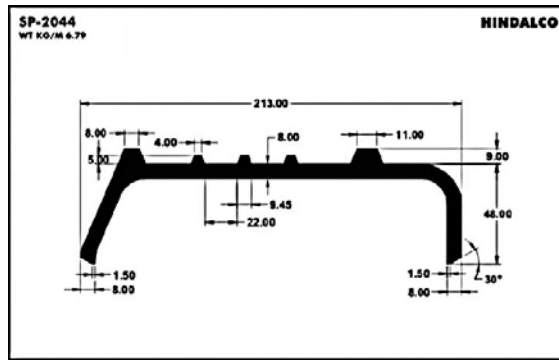
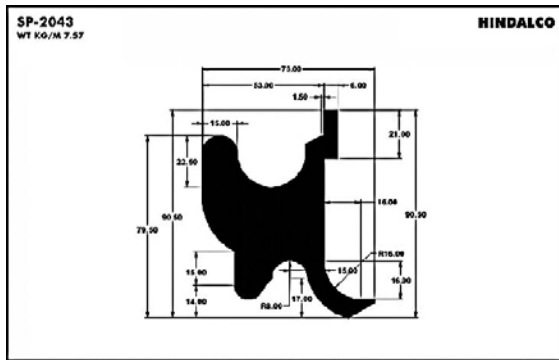
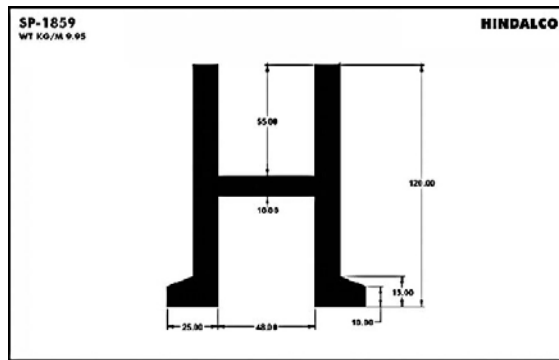
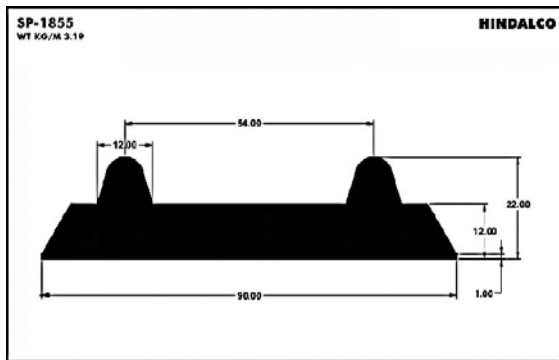
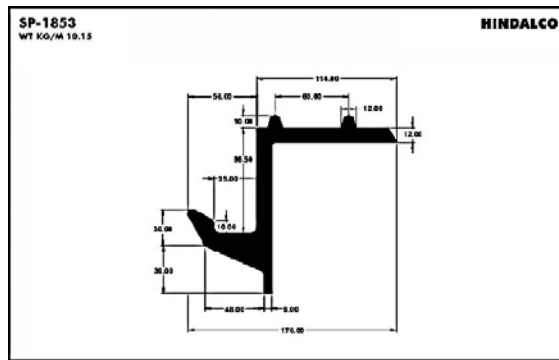
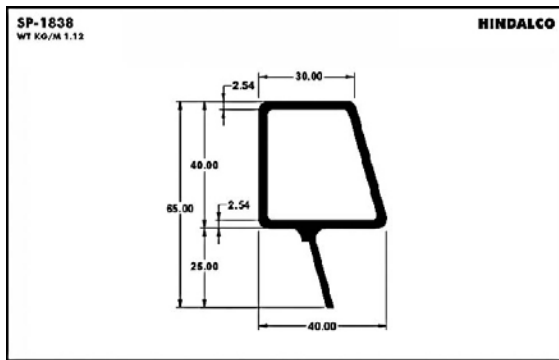
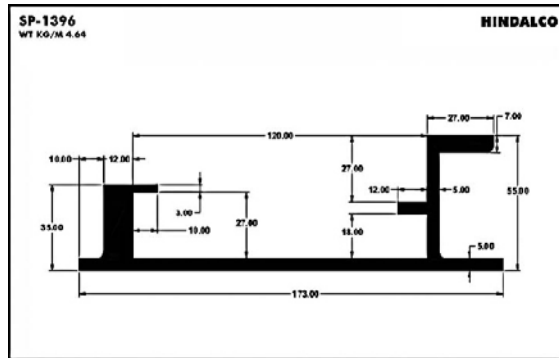
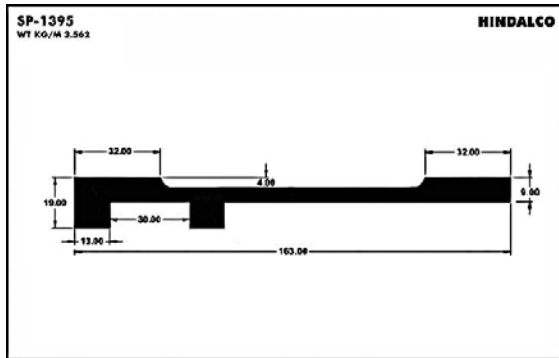
Bridge



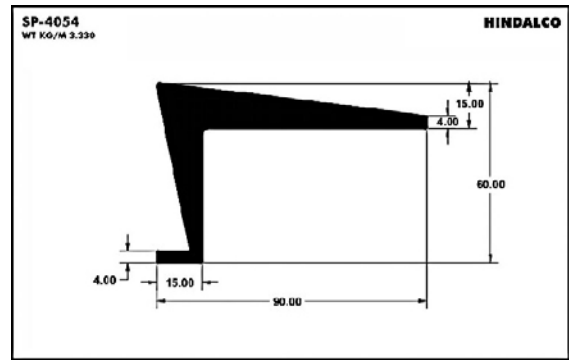
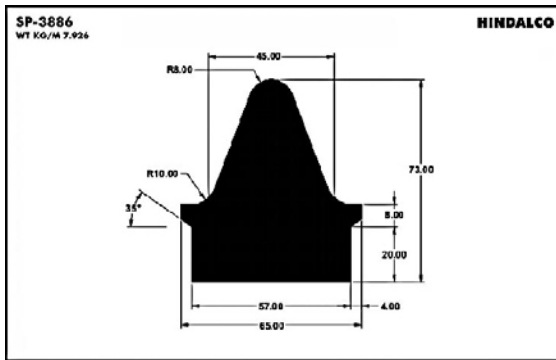
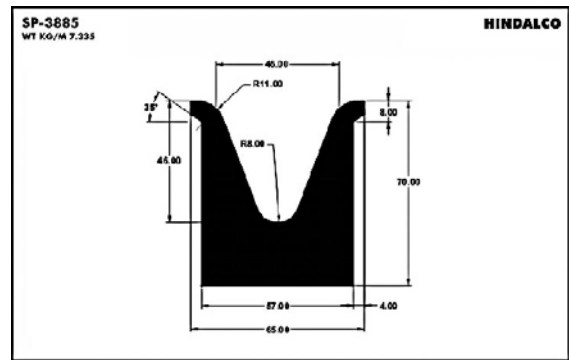
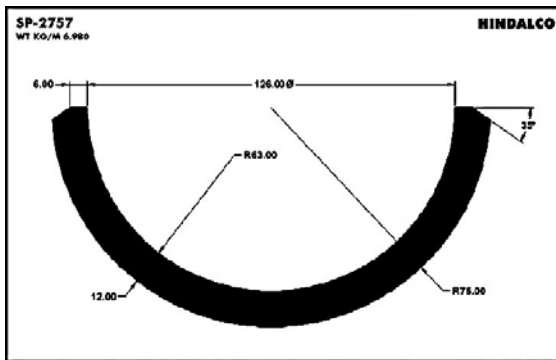
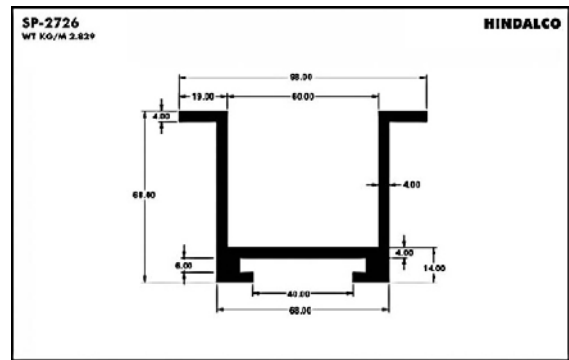
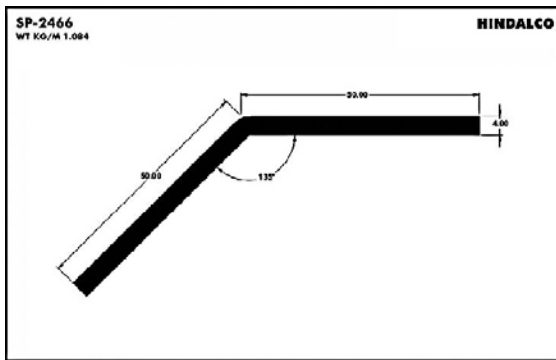
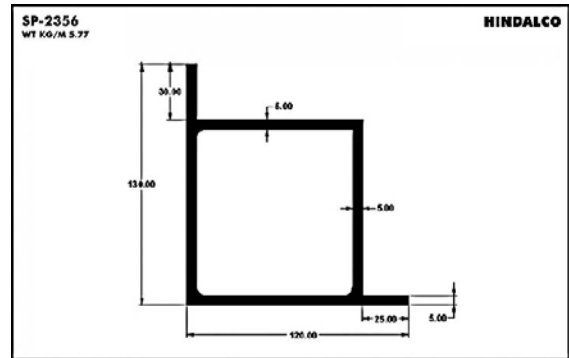
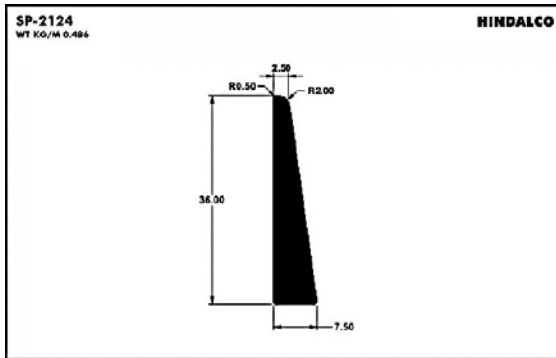
Bridge



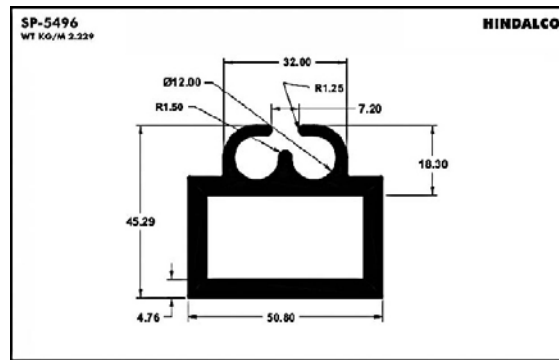
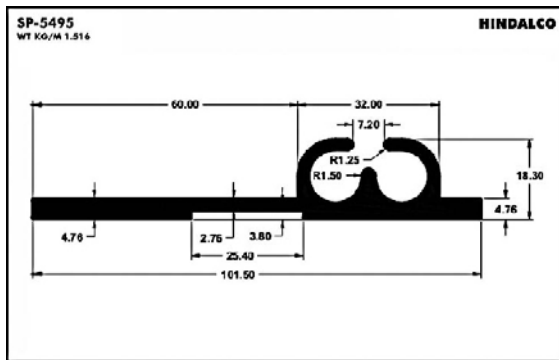
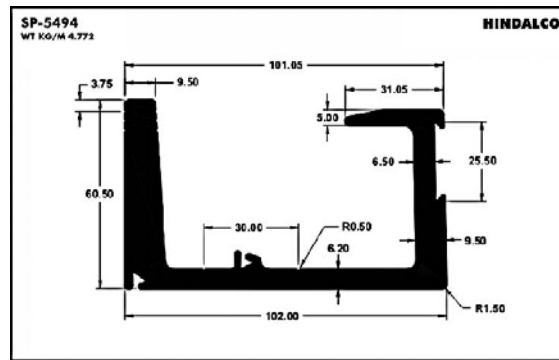
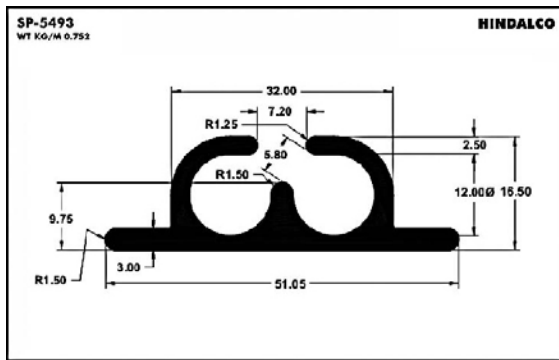
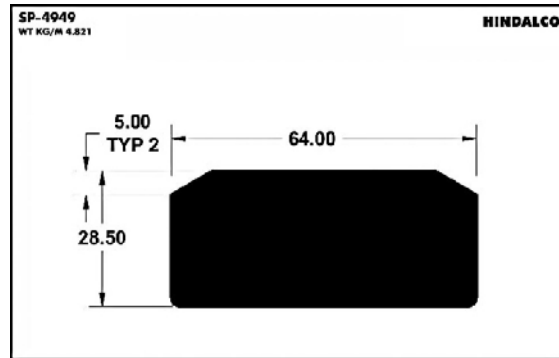
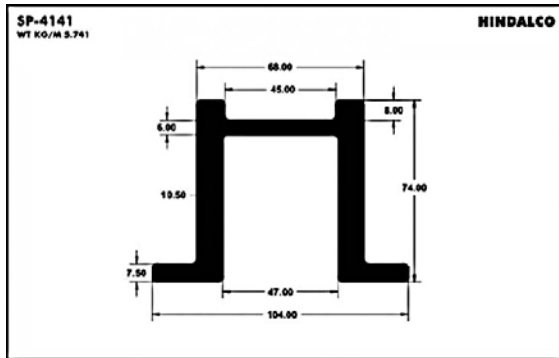
Bridge



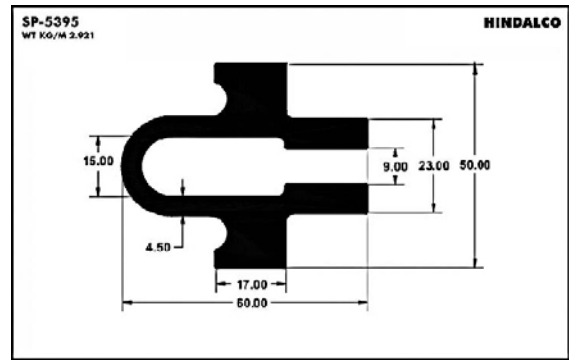
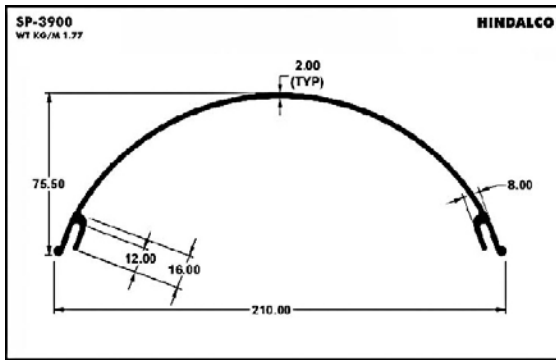
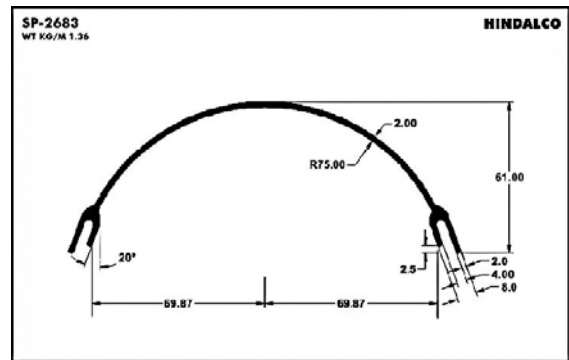
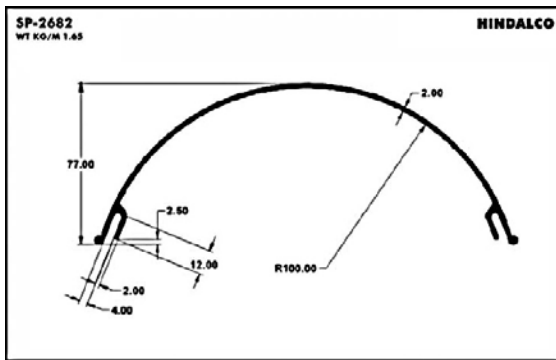
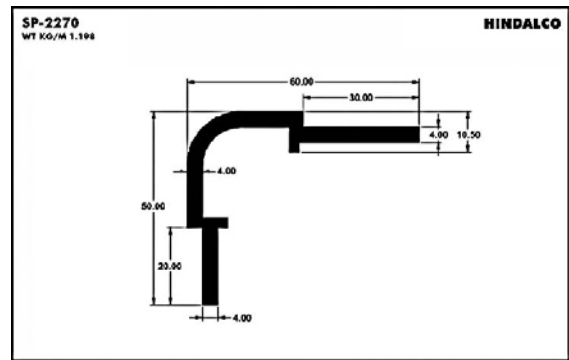
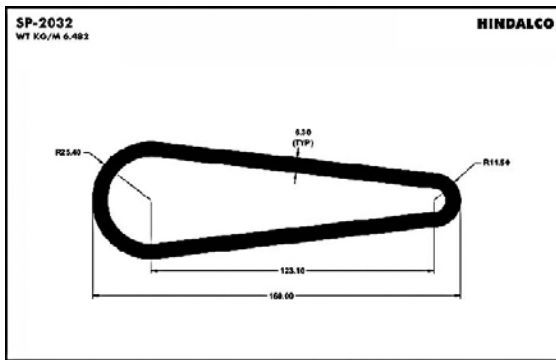
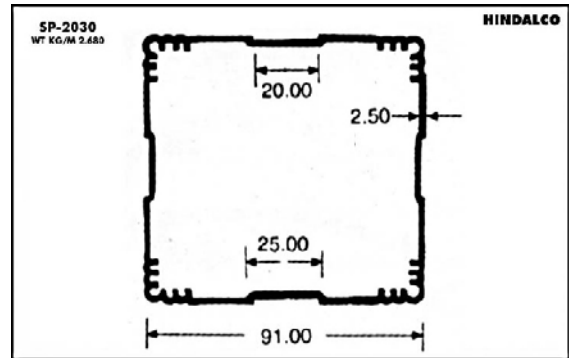
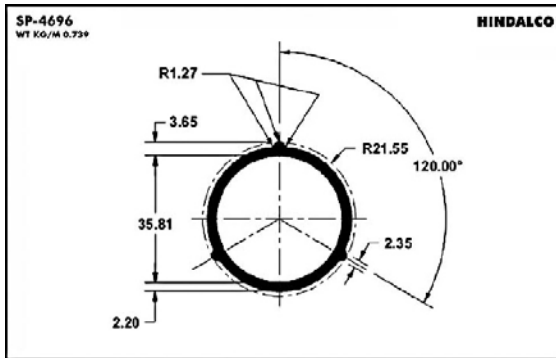
Bridge



Bridge



Miscellaneous



Miscellaneous

